

10.7MHz CERAMIC FILTER



7.0 x 4.0 x 7.0 mm

AFC10.7M

Pb in ceramic (exempt per
RoHS 2002/95/EC Annex (7)).

RoHS
Compliant

FEATURES:

- Small size, Light weight
- Low loss/High attenuation option available
- Low cost thru hole package

APPLICATIONS:

- FM receivers
- Digital transmission systems
- Communications applications

STANDARD SPECIFICATIONS:

MAXIMUM RATINGS

Item	Requirement
Withstanding Voltage(V)	50(DC, 1min)
Insulation Resistance Ri (MΩ) min.	100(10V, 1min)
Operating temperature	-40°C ~ +85°C
Storage temperature	-40°C ~ +85°C

ELECTRICAL CHARACTERISTICS

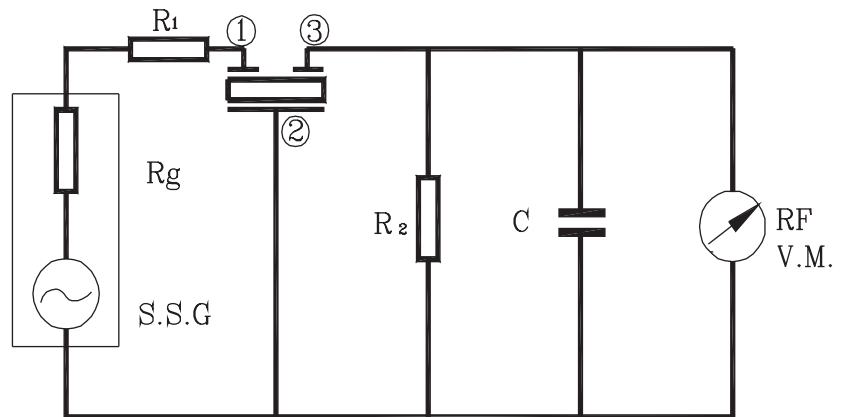
Part Number	3dB Bandwidth (kHz)	20 dB Bandwidth (kHz) max.	Insertion Loss (dB)max	Spurious Attenuation 9-12MHz dB min	Input/Output Impedance (Ω)	Special design
AFC10.7MC35	180 ± 40	470	3.5±2.0	35	330	Low-Loss
AFC10.7MJ45	150 ± 40	360	5.5±2.0	35	330	Wide/ Narrow Bandwidth
AFC10.7MW110	110 ± 30	350	10.0	30	330	

TEST CIRCUIT

Test conditions:

Parts shall be tested under the condition (Temp.: 20± 15°C, Humidity: 65±20% R.H.) unless the standard condition (Temp.: 25±2°C, Humidity: 65±5% R.H.) is regulated to measure

$R_g + R_1 = R_2 =$ Input/Output Impedance (Ω)
C=10pF (Including stray capacitance and capacitance of RF voltagemeter)



REVISED: 06.25.2018

10.7MHz CERAMIC FILTER

AFC10.7M

Pb in ceramic (exempt per
RoHS 2002/95/EC Annex (7)).

RoHS
Compliant



7.0 x 4.0 x 7.0 mm

OPTIONS AND PART IDENTIFICATION

(Left blank if standard)

AFC10.7M□□□□ - □

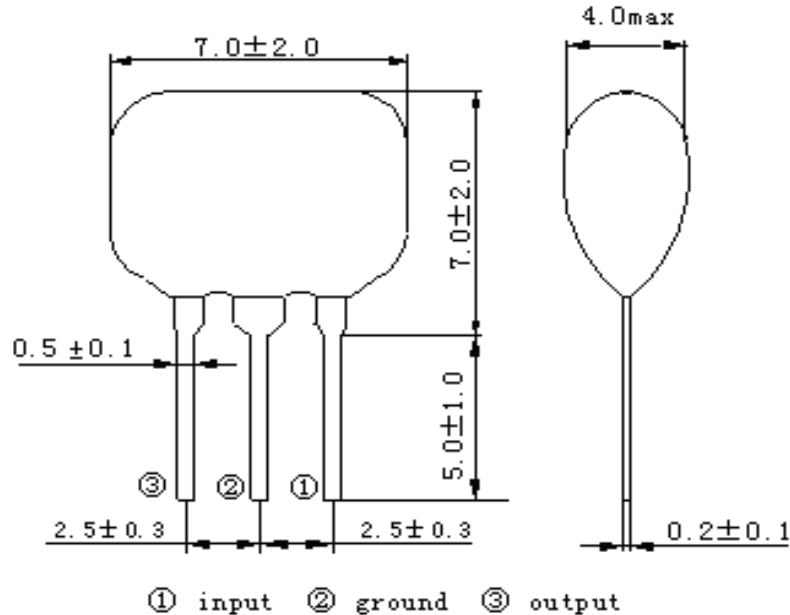
Part Number

See table in Section 2.2

Packaging

Blank	Bulk
A	AMMO packing

OUTLINE DIMENSIONS:



* Lead length: 5mm is for bulk parts; 13.5mm is for ammo packaging